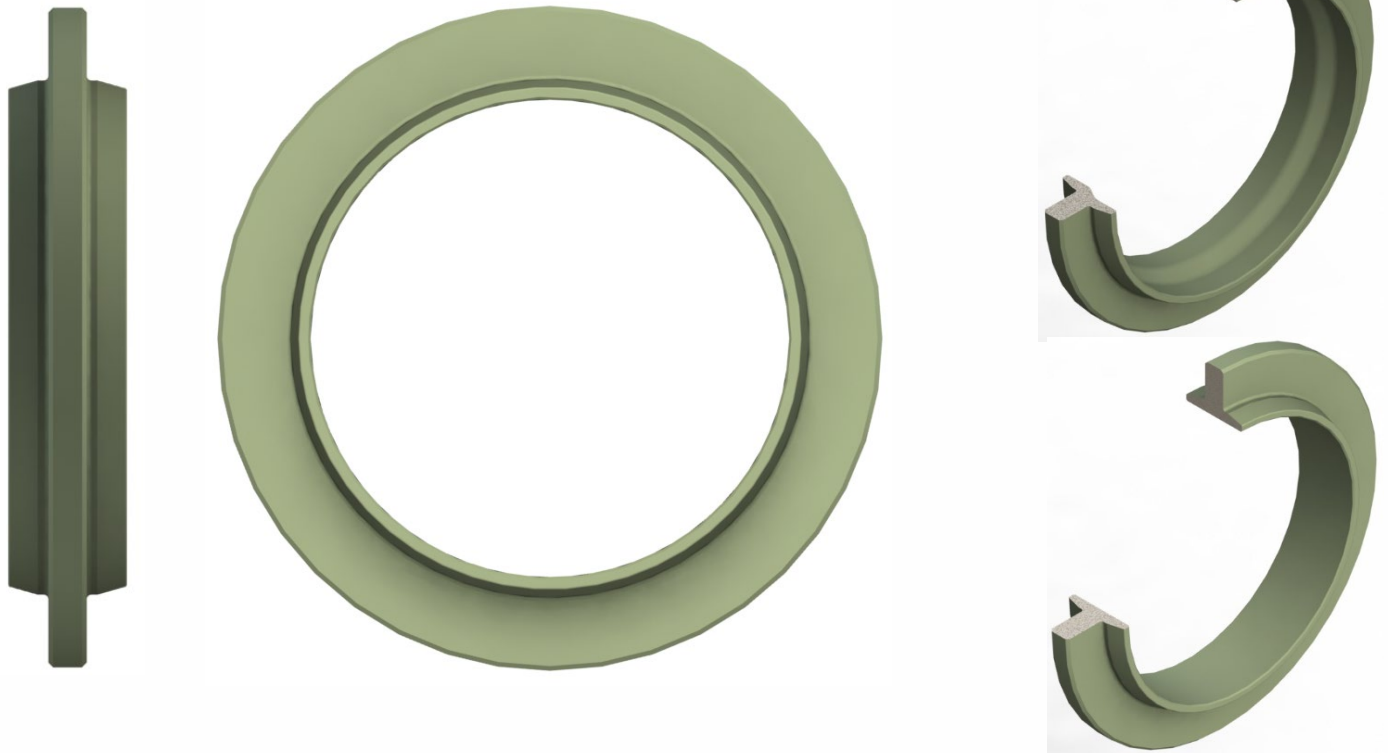


SEAL RINGS



Xylan PTFE Coated JIQ Seal Rings are designed and manufactured to guarantee steadfast metal-to-metal gas tight sealing performance in difficult conditions.

Manufactured, tested and certified in Scotland, our pressure energised seal rings perform to a Max Safe Working Pressure (SWP) of **10,000psi [689 bar]** within Service Temperature Ranges of **-50-350°F [-45-175°C]**.

All seal rings are manufactured using high strength materials, meeting the hardness limits of NACE, assuring confident application within H₂S containing environments in oil and gas production.

Seal ring materials can be customised upon request for individual campaigns, including a range of Stainless Steels and custom coatings.

Xylan PTFE Coatings supplement the high-performance design offering; optimum wear resistance, consistent make-up and protection from galling allowing for repeatable use.

Every individual seal ring is serialised, supplied complete with full traceability from raw material to finished product along with a JIQ Certificate of Conformity and vacuum packed to enhance pre-use shelf life. Seal rings are supplied in individual double wall cardboard cartons to further protect the product during transportation and storage.

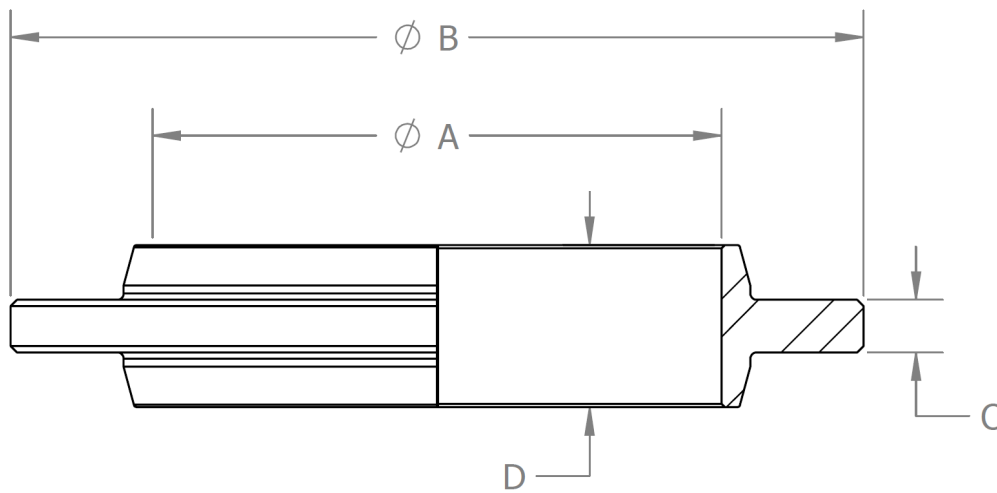
JIQ Seal Rings offer reliability and product integrity at excellent value and come in a range of sizes for your application needs.

Transition Seal Rings are also available allowing for convenient make-up of opposing sized hubs.

All JIQ Seal Rings are fully compatible with other manufacturers hubs & clamps.



SEAL RINGS



Size	PTFE Coated	MoS ₂ / Graphite Coated	Approximate Weight	Material (NACE MR-01-75)	Maximum Working Pressure	Dimensions (inches) [mm]			
						A	B	C	D
4	✓	✓	0.04 lbs [18 g]	AISI 4140	10,000 psi [689 Bar]	0.5" [12.7mm]	1" [25.4mm]	0.125" [3.175mm]	0.375" [9.525mm]
5	✓	✓	0.05 lbs [23 g]	AISI 4140	10,000 psi [689 Bar]	0.625" [15.875mm]	1.094" [27.788mm]	0.125" [3.175mm]	0.375" [9.525mm]
7	✓	✓	0.06 lbs [27 g]	AISI 4140	10,000 psi [689 Bar]	0.906" [23.012mm]	1.375" [34.925mm]	0.125" [3.175mm]	0.375" [9.525mm]
11	✓	✓	0.08 lbs [36 g]	AISI 4140	10,000 psi [689 Bar]	1.125" [28.575mm]	1.734" [44.044mm]	0.125" [3.175mm]	0.375" [9.525mm]
14	✓	✓	0.31 lbs [141 g]	AISI 4140	10,000 psi [689 Bar]	1.61" [40.894mm]	2.625" [66.675mm]	0.25" [6.35mm]	0.563" [14.3mm]
16	✓	✓	0.41 lbs [186 g]	AISI 4140	10,000 psi [689 Bar]	1.868" [47.447mm]	2.688" [68.275mm]	0.25" [6.35mm]	0.625" [15.875mm]
20	✓	✓	0.5 lbs [227 g]	AISI 4140	10,000 psi [689 Bar]	2.063" [52.4mm]	3.25" [82.55mm]	0.25" [6.35mm]	0.75" [19.05mm]
23	✓	✓	0.54 lbs [245 g]	AISI 4140	10,000 psi [689 Bar]	2.375" [60.325mm]	3.5" [88.9mm]	0.25" [6.35mm]	0.75" [19.05mm]
25	✓	✓	0.7 lbs [318 g]	AISI 4140	10,000 psi [689 Bar]	2.672" [67.869mm]	4" [101.6mm]	0.25" [6.35mm]	0.75" [19.05mm]
27	✓	✓	0.7 lbs [318 g]	AISI 4140	10,000 psi [689 Bar]	3.063" [77.8mm]	4.25" [107.95mm]	0.25" [6.35mm]	0.75" [19.05mm]
31	✓	✓	0.76 lbs [345 g]	AISI 4140	10,000 psi [689 Bar]	3.25" [82.55mm]	4.5" [114.3mm]	0.25" [6.35mm]	0.75" [19.05mm]
34	✓	✓	0.89 lbs [405 g]	AISI 4140	10,000 psi [689 Bar]	3.688" [93.675mm]	5" [127mm]	0.25" [6.35mm]	0.75" [19.05mm]
40	✓	✓	1.28 lbs [582 g]	AISI 4140	10,000 psi [689 Bar]	4.063" [103.2mm]	5.5" [139.7mm]	0.25" [6.35mm]	1" [25.4mm]
42	✓	✓	1.35 lbs [614 g]	AISI 4140	10,000 psi [689 Bar]	4.188" [106.375mm]	6.625" [168.275mm]	0.25" [6.35mm]	1" [25.4mm]
46	✓	✓	1.58 lbs [718 g]	AISI 4140	10,000 psi [689 Bar]	4.75" [120.65mm]	6.188" [157.175mm]	0.25" [6.35mm]	1" [25.4mm]
52	✓	✓	1.65 lbs [750 g]	AISI 4140	10,000 psi [689 Bar]	5.313" [134.95mm]	6.625" [168.275mm]	0.25" [6.35mm]	1" [25.4mm]
62	✓	✓	4 lbs [1.8 kg]	AISI 4140	10,000 psi [689 Bar]	3.065" [77.851mm]	7.875" [200.025mm]	0.375" [9.525mm]	1.375" [34.925mm]
67	✓	✓	4.5 lbs [2 kg]	AISI 4141	10,000 psi [689 Bar]	3.875" [98.425mm]	8.75" [222.25mm]	0.375" [9.525mm]	1.375" [34.925mm]
72	✓	✓	4.95 lbs [2.25 kg]	AISI 4140	10,000 psi [689 Bar]	7.25" [184.15mm]	9.5" [241.3mm]	0.375" [9.525mm]	1.375" [34.925mm]
Transition Seal Rings									
20x25	✓	✓	0.7 lbs [318 g]	AISI 4140	10,000 psi [689 Bar]	2.063" [52.4mm]	4" [101.6mm]	0.25" [6.35mm]	0.75" [19.05mm]
25x27	✓	✓	0.7 lbs [318 g]	AISI 4140	10,000 psi [689 Bar]	2.672" [67.869mm]	4.25" [107.95mm]	0.25" [6.35mm]	0.75" [19.05mm]
27x31	✓	✓	0.76 lbs [345 g]	AISI 4140	10,000 psi [689 Bar]	2.672" [67.869mm]	4.5" [114.3mm]	0.25" [6.35mm]	0.75" [19.05mm]
31x40	✓	✓	1.28 lbs [582 g]	AISI 4140	10,000 psi [689 Bar]	3.25" [82.55mm]	5.5" [139.7mm]	0.25" [6.35mm]	0.75" [19.05mm]

